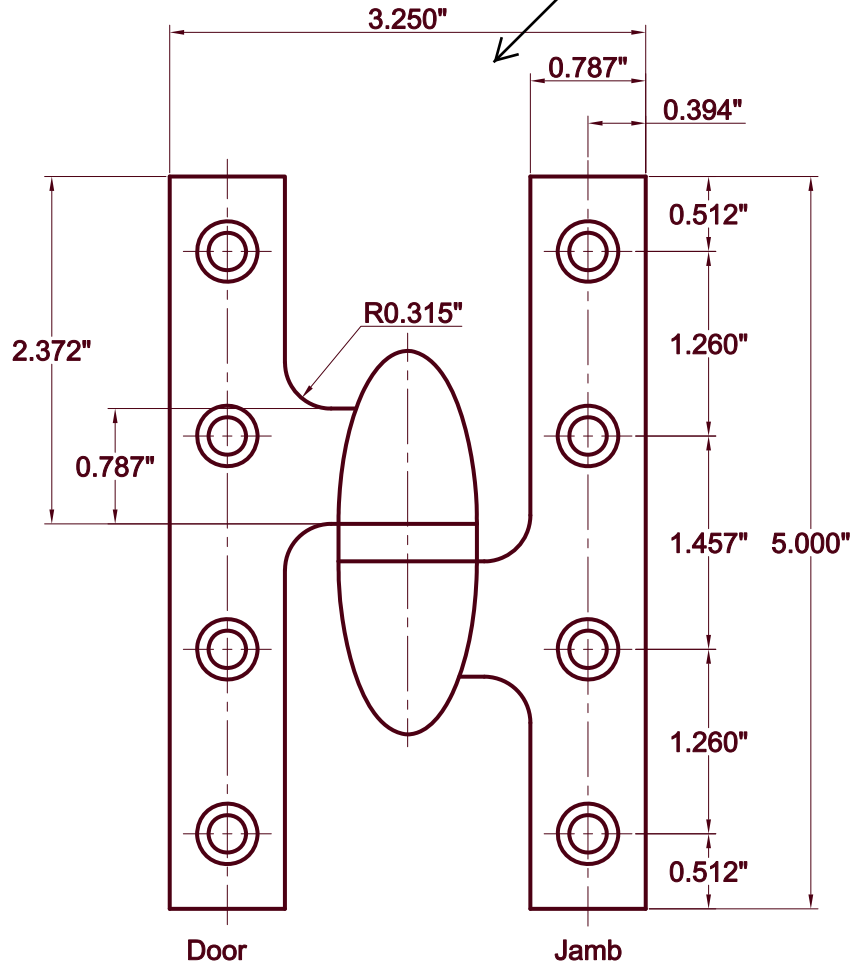


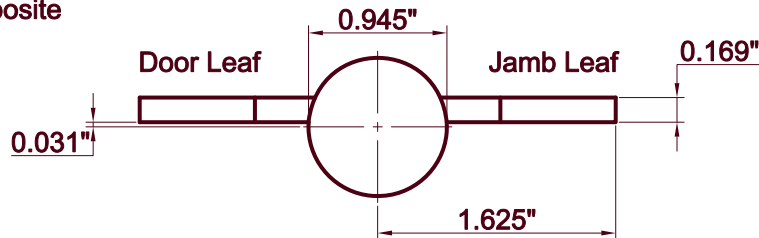
Do Not Scale

19-5032
FULL MORTISE OLIVE
KNUCKLE HINGES

To mortise this hinge use
Templaco Tools Stock
Number (501-VM-19)
Router Template
www.templaco.com



Right hand hinge shown
Left hand opposite



Von Morris Template Olive Knuckle Hinges size, gauge and screw hole locations conform to this drawing. Wood Screw Size: #12 x 1-1/4" F.H. Hinges are handed.

IF FAXED COPY DO NOT SCALE



PHONE: 1-800-646-6888
FAX: 1-800-646-8988
email: info@vonmorris.com
<http://www.vonmorris.com>

REV 2003-3-26